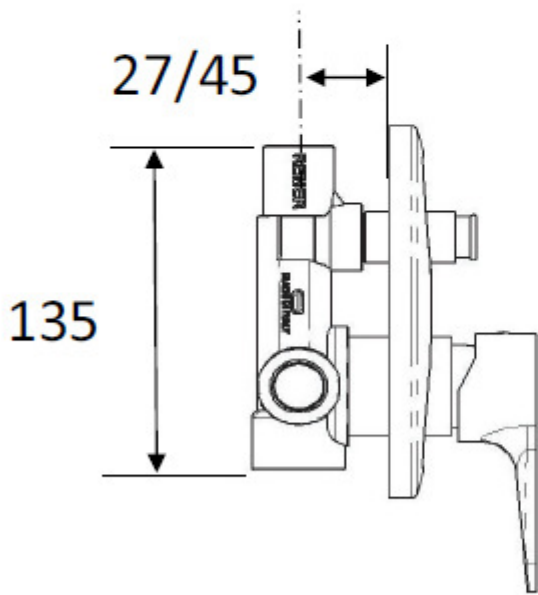
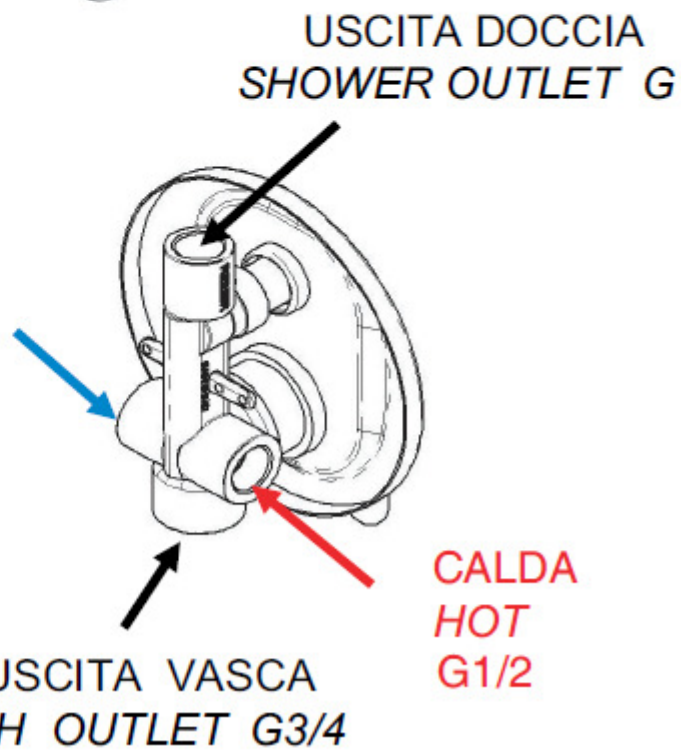


Ø 155



FREDDA  
COLD  
G1/2



CALDA  
HOT  
G1/2

1/2